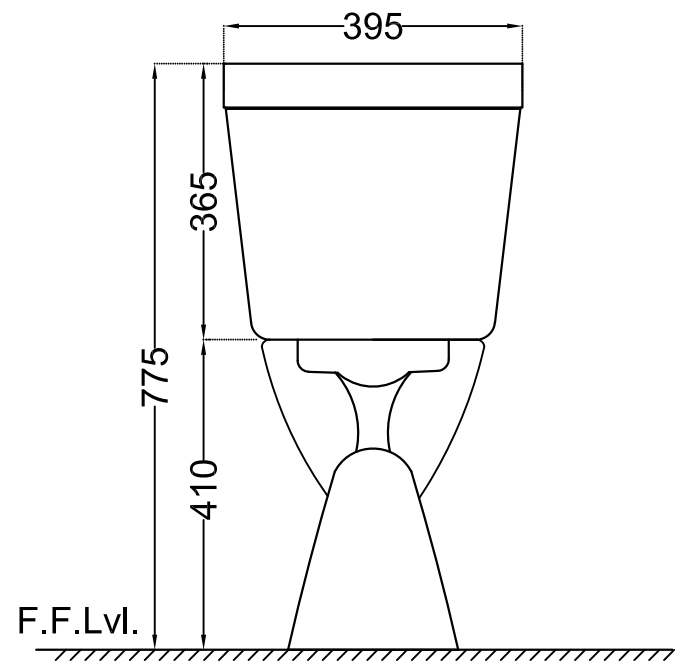
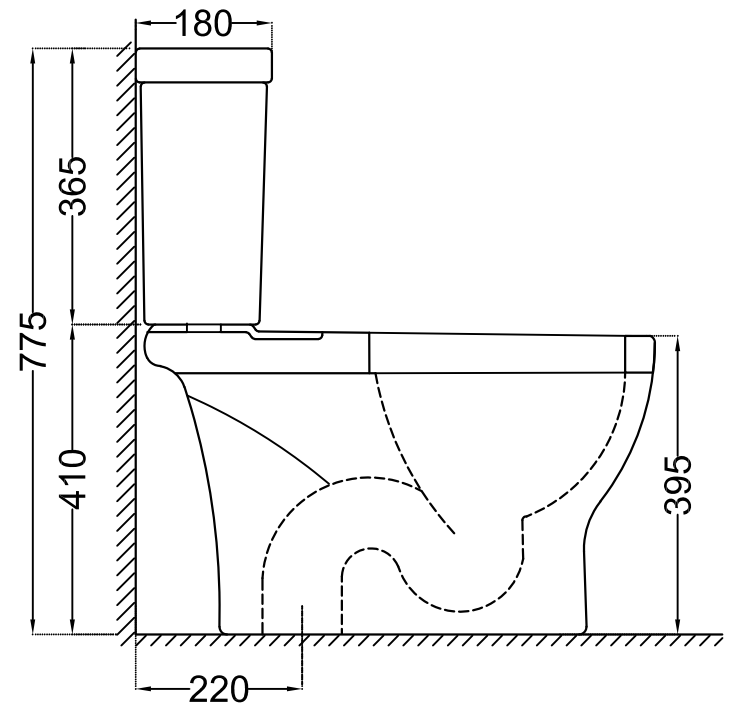



TOP VIEW



BACK VIEW



SIDE VIEW

	Jaquar Group		ITEM CODE	AIS-WHT-101751S220SPPSMZ
	Global Headquarters Plot No. 3, Sector- M-11, IMT Manesar Gurgaon, NCR - 122050, India		ITEM TYPE	COUPLED WC S-TRAP 220 MM
	E-mail : Sales: support@jaquar.com Customer Service : service@jaquar.com		ITEM SIZE	395x680x775 mm
	ALL DIMENSIONS ARE IN MM. (TOLERANCE ± 5 MM)			